



IX-4DF

IX Door Station with 4 Buttons

INSTRUCTION MANUAL



Thank you for selecting Aiphone for your communication and security needs. Please read this manual carefully before installation, and keep it in a safe place for future reference. Also read the installation manuals for the other devices included in your system.

Please note that the illustrations in this manual may differ from the actual product.

NOTICE

This instruction manual is for IX-4DF terminal connection.

Please refer IX Support Tool Manual and RY-IP44 Instructions for programming.

PACKAGE CONTENTS

Verify that the following parts are included.

IX-4DF



Back box for IX-4DF



Instruction Manuals



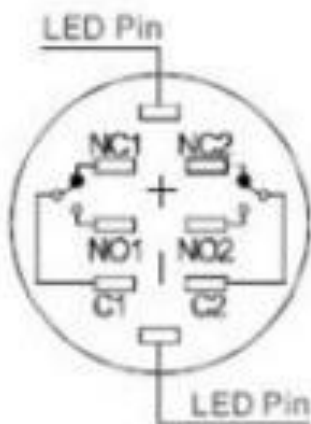
Name Plate/Wires



INSTRUCTIONS

1. Connect and Solder Cables

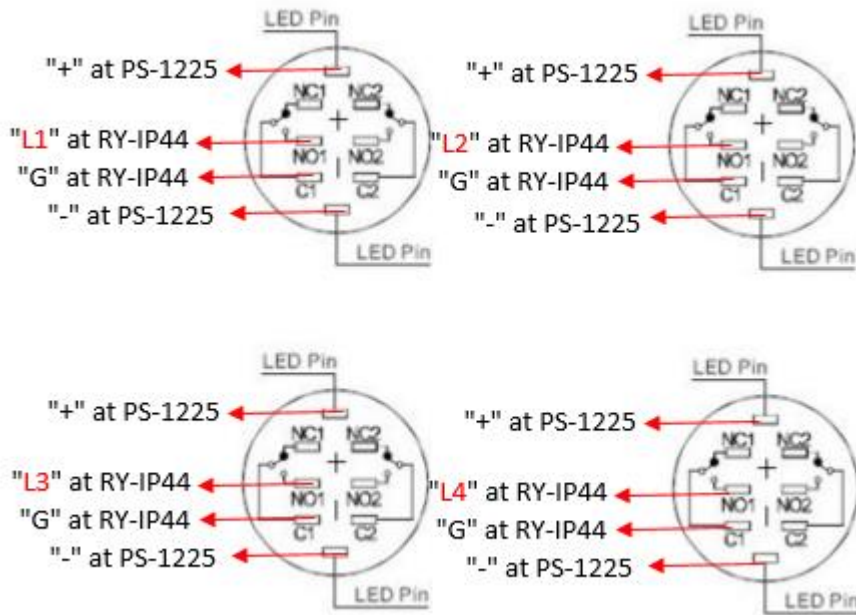
Terminal Description



Two sets at most

C1, NO1, NC1 and C2, NO2, NC2 are one set respectively. C is common used, NO is normal opened, NC is normal closed; +, - are lamp terminals, the standard LED have no difference of anode and cathode; Lamp and switch are relatively independent and can use switch or peripheral circuit to control the lamp state.

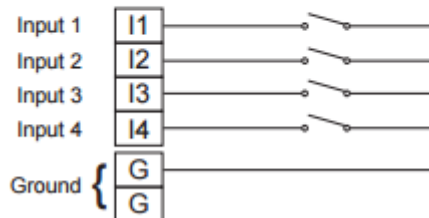
IX-4DF



RY-IP44

Inputs:

Connect a normally open (N/O) contact across any input and ground.



2. Connect Positive and Negative cables to Power Supply (PS-1225)

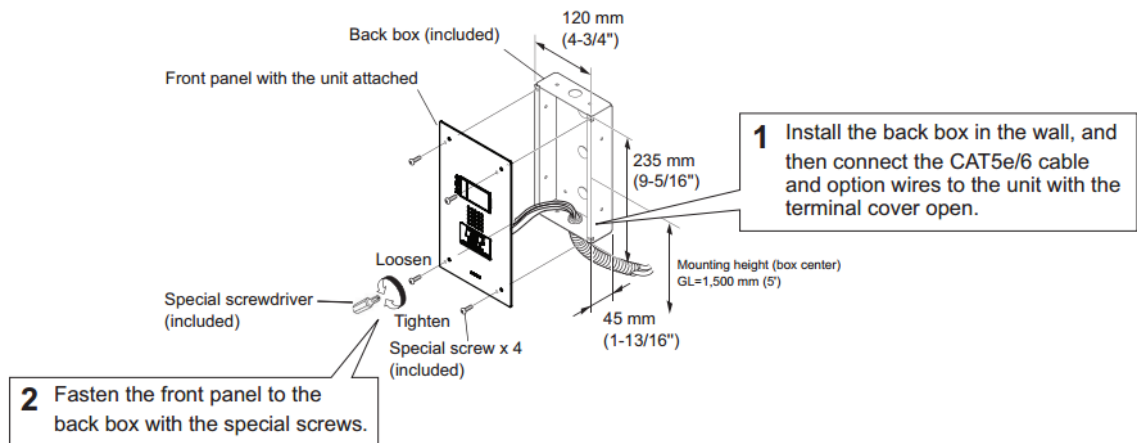


Red – Positive
Black - Negative

(The cables above are for the name plate. The switch button LED needs to be connected to the PS-1225 separately)

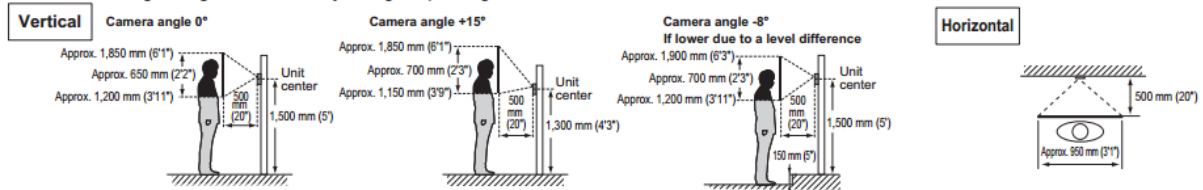
MOUNTING

Installation of Door Station



Wall Mounting

The indicated range is a guideline that may change depending on the installation environment.



When light enters the camera, the monitor screen may flicker brightly or the subject may become dark. Try to prevent strong lighting from entering the camera directly.

PROGRAMMING

Please refer IX and RY-IP44 Installation Manual.

WARRANTY

Aiphone warrants its products to be free from defects of material and workmanship under normal use and service for a period of three years after delivery to the ultimate user and will repair free of charge or replace at no charge, should it become defective upon which examination shall disclose to be defective and under warranty. Aiphone reserves unto

itself the sole right to make the final decision whether there is a defect in materials and/or workmanship; and whether or not the product is within the warranty. This warranty shall not apply to any Aiphone product which has been subject to misuse, neglect, accident, power surge, or to use in violation of instructions furnished, nor extended to units which have been repaired or altered outside of the factory. This warranty does not cover batteries or damage caused by batteries used in connection with the unit. This warranty covers bench repairs only, and any repairs must be made at the shop or place designated in writing by Aiphone. This warranty is limited to the standard specifications listed in the operation manual. This warranty does not cover any supplementary function of a third party product that is added by users or suppliers. Please note that any damage or other issues caused by failure of function or interconnection with Aiphone products is also not covered by this warranty. Aiphone will not be responsible for any costs incurred involving onsite service calls. Aiphone will not provide compensation for any loss or damage incurred by the breakdown or malfunction of its products during use, or for any consequent inconvenience or losses that may result.

Issue Date: Mar. 2017