



## Jx-DVF-AC

KEYPAD INTEGRATED FLUSH MOUNT PLATE FOR JO-DVF and JP-DVF

---

# INSTRUCTION MANUAL

---



Thank you for selecting Aiphone for your communication and security needs. Please read this manual carefully before installation, and keep it in a safe place for future reference. Also read the installation manuals for the other devices included in your system.

Please note that the illustrations in this manual may differ from the actual product.

# NOTICES

This instruction manual is for attaching existing JO-DVF or JP-DVF onto the Jx-DVF-AC and is not for the installation of the intercom or the keypad itself. For installation manuals of any JO Series or JP Series products and AC-10 keypad, please refer to individual manuals. The Jx-DVF-AC is only compatible with JO-DVF and JP-DVF, therefore the JOS-1F kit or the JPS-4AEDF kit must be used.

# PACKAGE CONTENTS

Verify that the following parts are included.

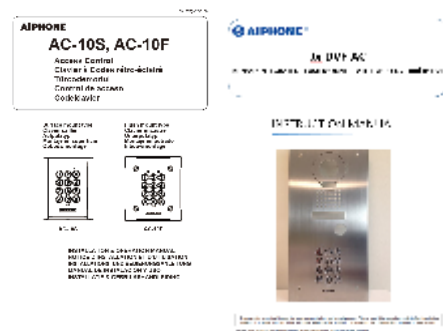
Jx-DVF-AC



Back box for Jx-DVF-AC



Instruction Manuals



# INSTRUCTIONS

1. Unbox the JOS-1F kit or JPS-4AEDF kit and take the JO-DVF or JP-DVF out. DO NOT THROW AWAY SECURITY SCREWS as they will be needed for mounting

JO-DVF



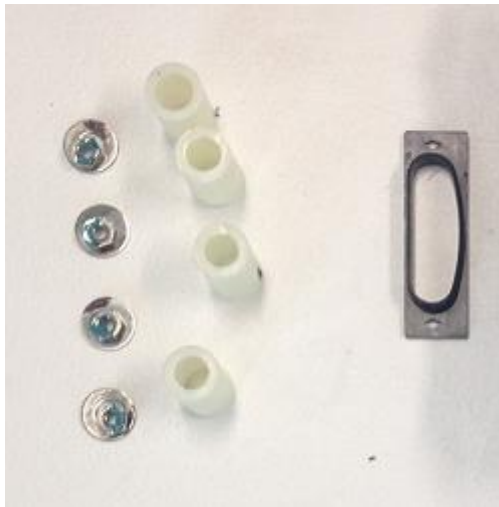
JP-DVF



2. From the JO-DVF or JP-DVF, remove the 4 nuts and washers that are attaching the unit to the front plate. DO NOT THROW AWAY NUTS AND WASHER as they will be used to attach the unit onto the Jx-DVF-AC.



3. Remove the 4 white plastic standoffs on the stud and also the black plastic LED casing. DO NOT THROW THESE PARTS AWAY as they will be needed with the Jx-DVF-AC as well.



4. Remove stud covers on the Jx-DVF-AC and relocate the parts from step 3. onto the Jx-DVF-AC.



5. Take the unit that was removed from the JO-DVF or JP-DVF and attach it onto the Jx-DVF-AC using the nuts and washers from step 2. Completed unit should look similar to the images.



Jx-DVF-AC with JO-DVF

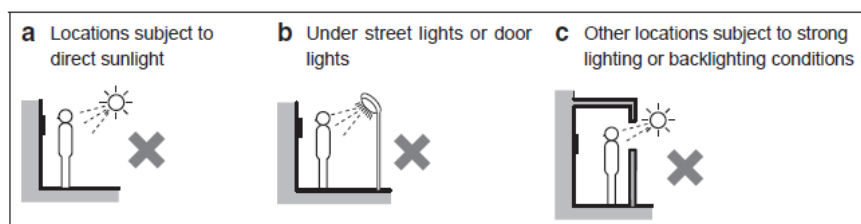
Jx-DVF-AC with JP-DVF

6. Use the back box and security screws provided to install unit

## MOUNTING

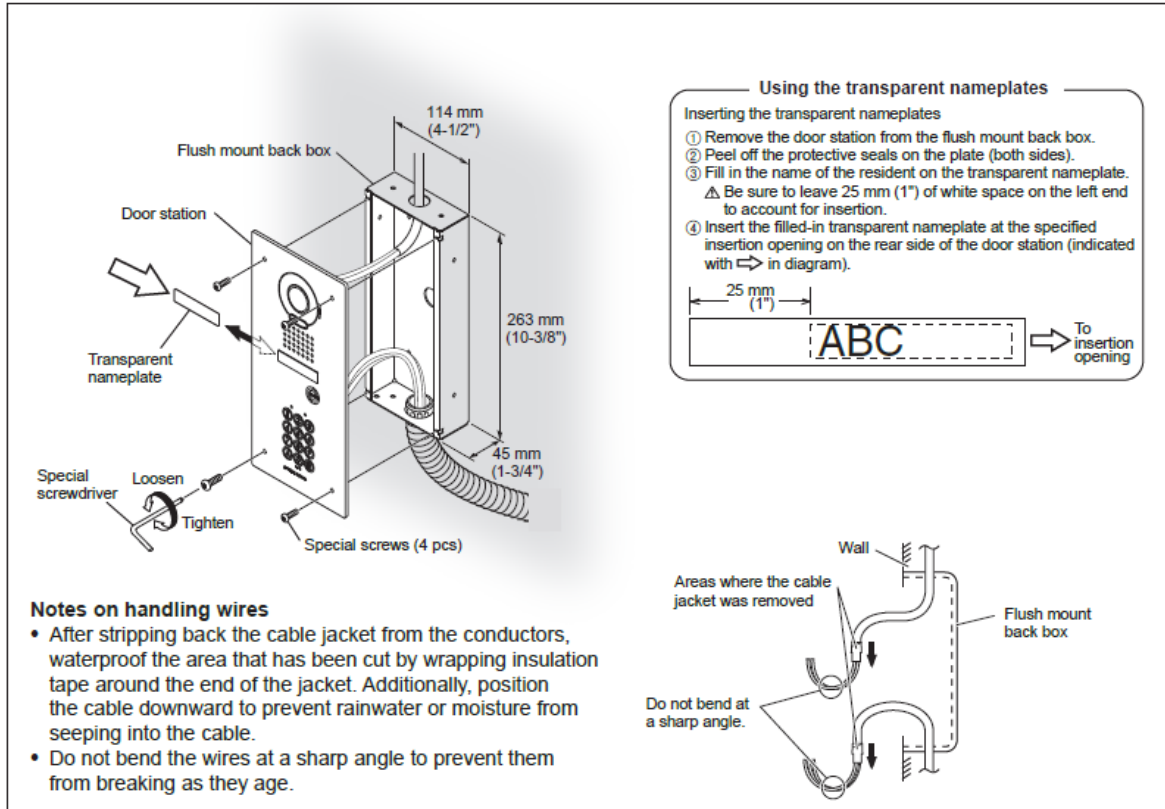
### Mounting locations

"Do not install this unit in any of the following locations where lighting or the ambient environment could impact the display on the video monitor due to the characteristics of the door station's camera."

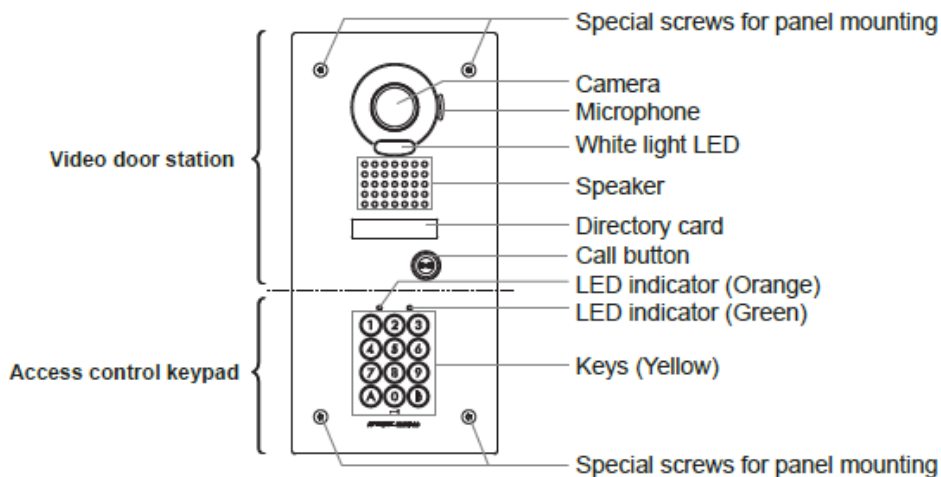


## Mounting

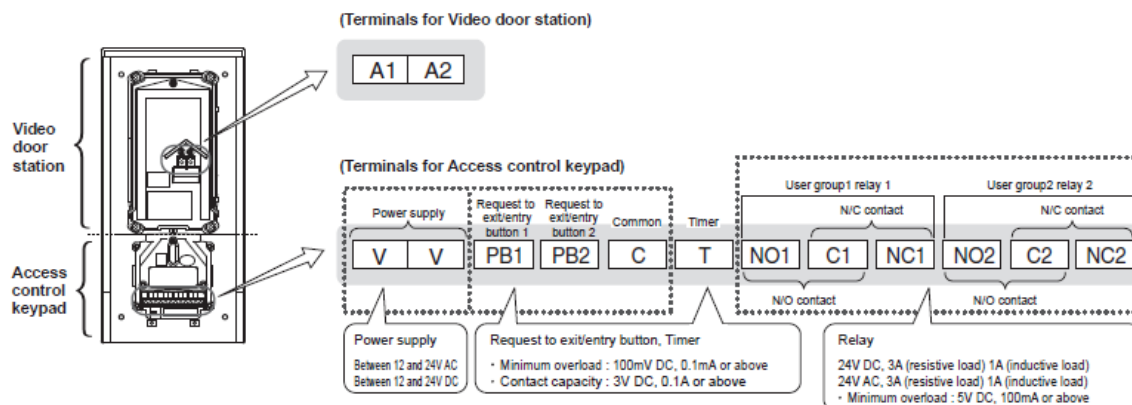
1. Detach the door station from the flush mount back box by removing the screws with the special screwdriver that is supplied with the unit.
2. Attach the flush mount back box to the wall.
3. Route wiring through the flush mount back box and connect wires to the door station.  
\* See page 5 and 6 for details on wiring and connections.
4. Attach the door station to the flush mount back box.  
\* Be sure to use the original screws to reattach the door station to the flush mount back box.



## PART NAMES



## Terminal names



## SPECIFICATIONS

### General

- Dimensions:
  - Door station: 295(H) × 144(W) × 8(D) (recess: 30) mm
  - H 11-5/8" × W 5-3/4" × D 5/16", recess 1-3/16"
  - Flush mount back box: 263(H) × 114(W) × 45(D) mm
  - H 10-3/8" × W 4-1/2" × D 1-3/4"

### Access control keypad

- Power supply: 12 - 24V AC, 12 - 24V DC
- Power consumption: DC: Max. 70mA, AC: Max. 100mA
- Number of relay circuits: 2
- Relay contact: N/O, N/C
- Relay contact capacity: 24V DC, 3A (resistive load) 1A (inductive load), 24V AC, 3A (resistive load) 1A (inductive load)

## INSTALLATION

For details of wiring and connections, setup for the AC-10 keypad and further installation details, please refer to individual manuals.

## WARRANTY

Aiphone warrants its products to be free from defects of material and workmanship under normal use and service for a period of three years after delivery to the ultimate user and will repair free of charge or replace at no charge, should it become defective upon which examination shall disclose to be defective and under warranty. Aiphone reserves unto

itself the sole right to make the final decision whether there is a defect in materials and/or workmanship; and whether or not the product is within the warranty. This warranty shall not apply to any Aiphone product which has been subject to misuse, neglect, accident, power surge, or to use in violation of instructions furnished, nor extended to units which have been repaired or altered outside of the factory. This warranty does not cover batteries or damage caused by batteries used in connection with the unit. This warranty covers bench repairs only, and any repairs must be made at the shop or place designated in writing by Aiphone. This warranty is limited to the standard specifications listed in the operation manual. This warranty does not cover any supplementary function of a third party product that is added by users or suppliers. Please note that any damage or other issues caused by failure of function or interconnection with Aiphone products is also not covered by this warranty. Aiphone will not be responsible for any costs incurred involving onsite service calls. Aiphone will not provide compensation for any loss or damage incurred by the breakdown or malfunction of its products during use, or for any consequent inconvenience or losses that may result.

Issue Date: Nov. 2015