

RY-ES

External Signaling Relay

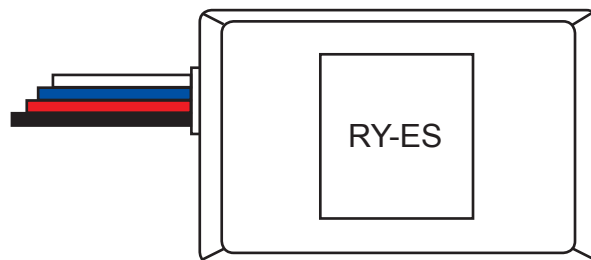
- INSTALLATION & OPERATION INSTRUCTIONS -

The RY-ES is a relay used to activate an external signaling device when the door station calls in. It can be used for call extension on the JM, JO, JK, JF, KB, AX, NEM, DB, and IE systems (excluding IE-8MD). The relay connects to the chime output of the master station in place of the IER-2. The RY-ES relay shares power with the master station it is connected to.

1 NAMES & FUNCTIONS

Input of relay:

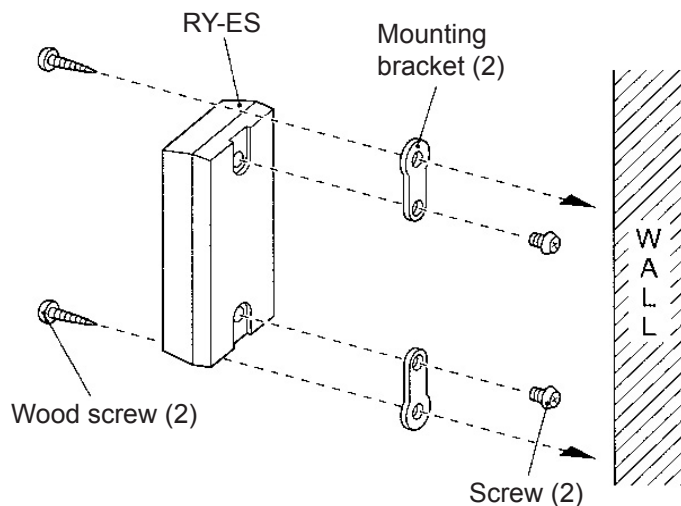
Red: Positive Power
 Black: Negative Power
 White: Activation wire
 Blue: Activation wire



Output of relay:

2 Orange wires
 N/O Dry contact closure

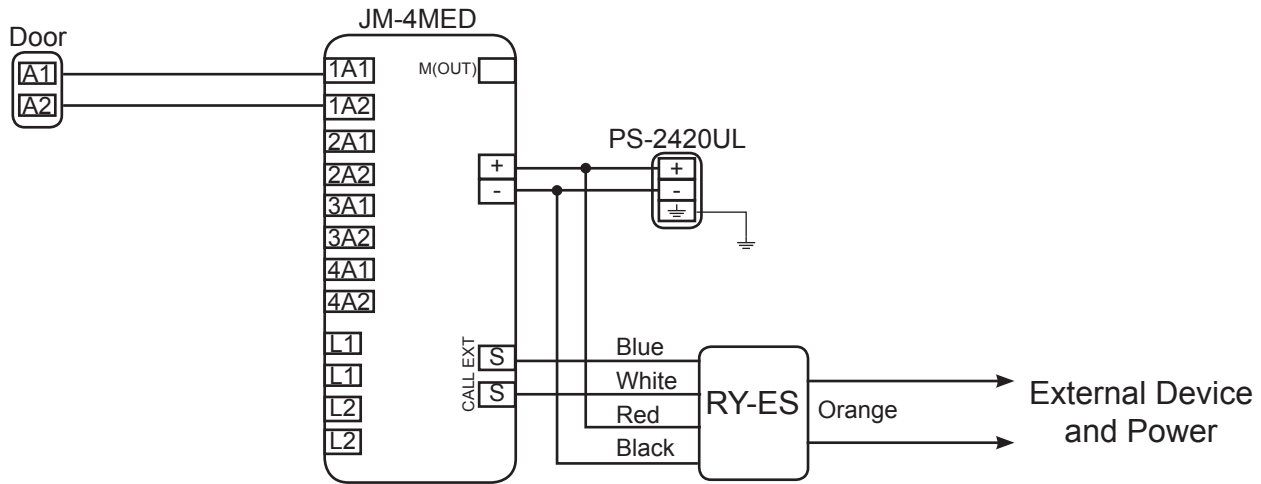
2 INSTALLATION



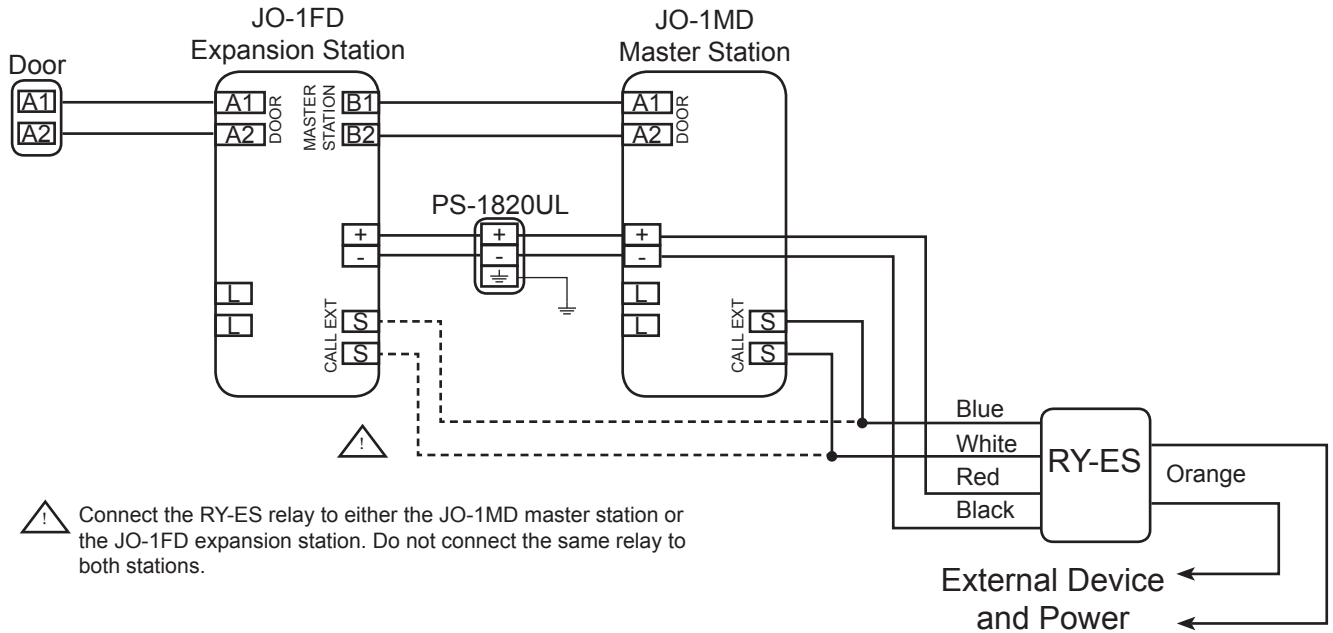
Wall mount the unit with the supplied mounting hardware as shown in the diagram to the left. When making wire connections, be sure not to short any wires together. Use wire nuts or another protective material to isolate the connections.

3 WIRING DIAGRAMS

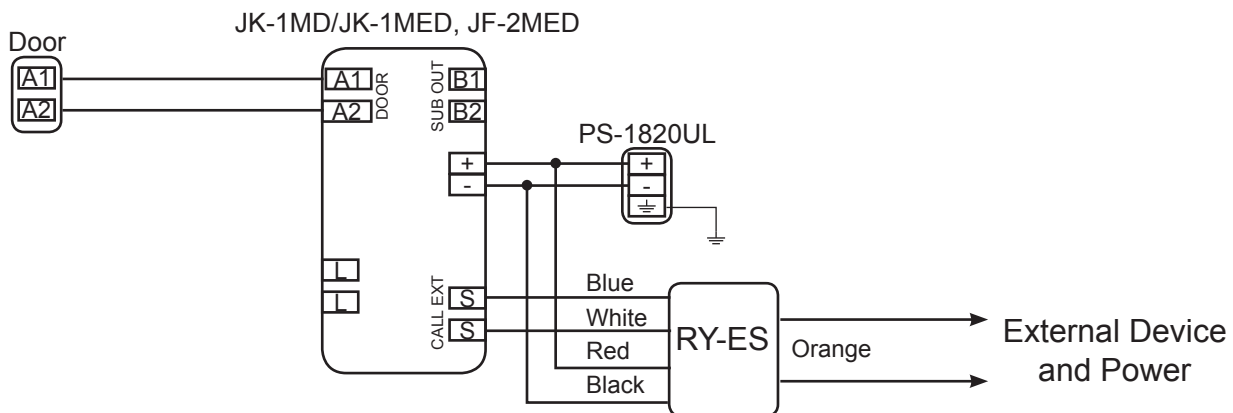
JM System



JO System

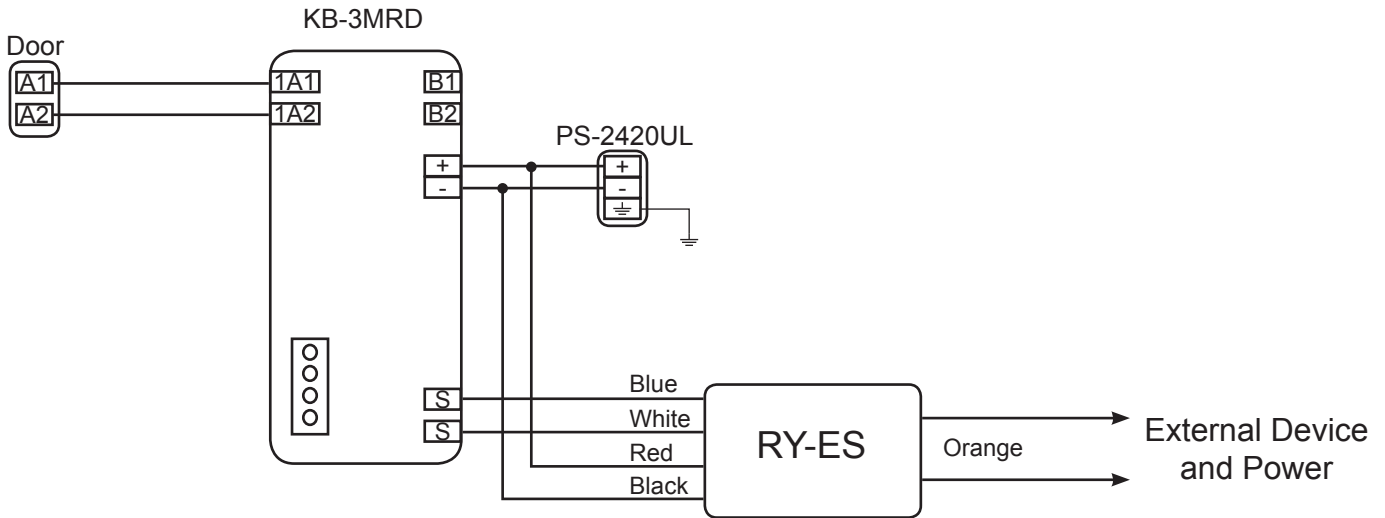


JK & JF Systems

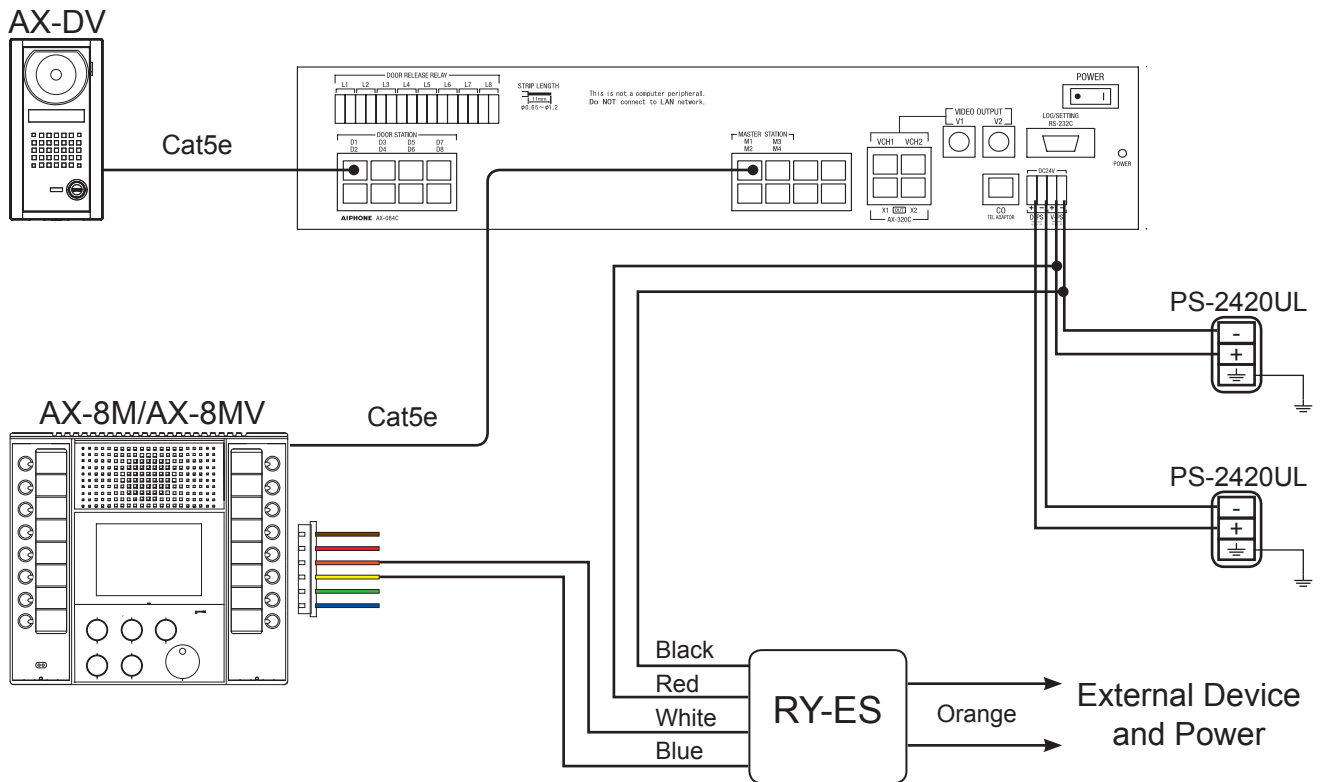


3 WIRING DIAGRAMS (cont)

KB System

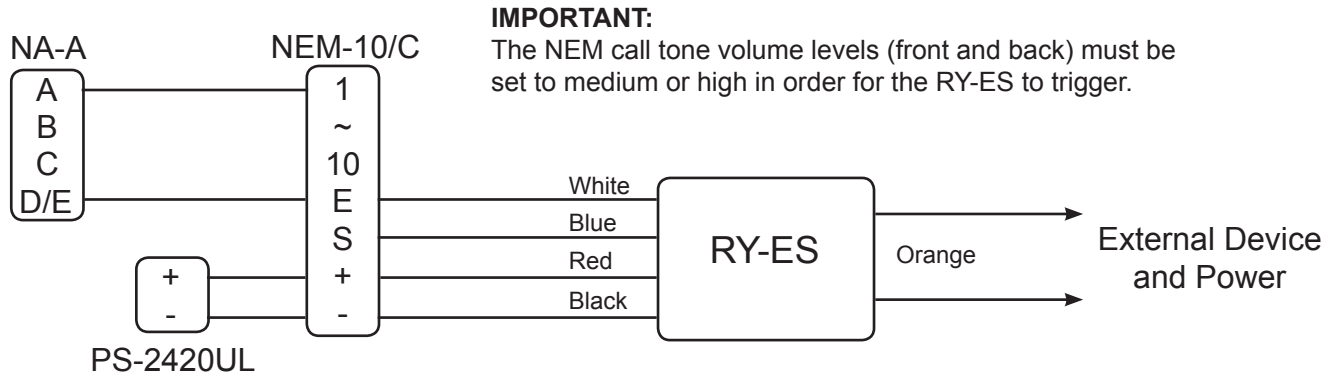


AX System

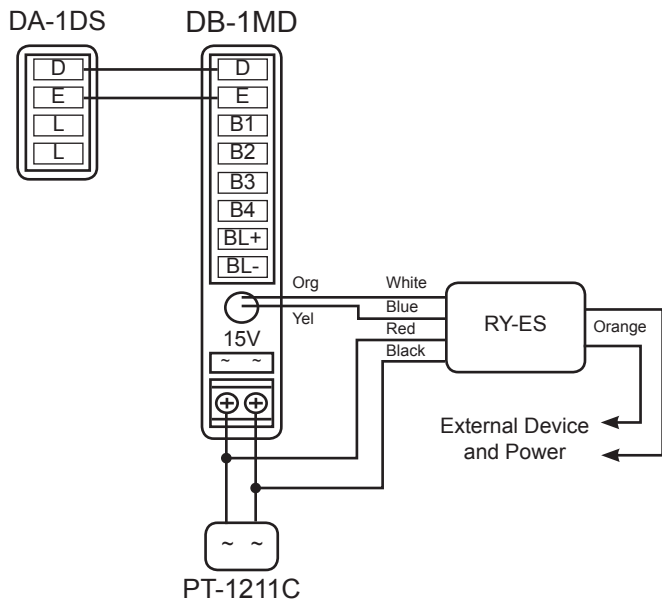


3 WIRING DIAGRAMS (cont)

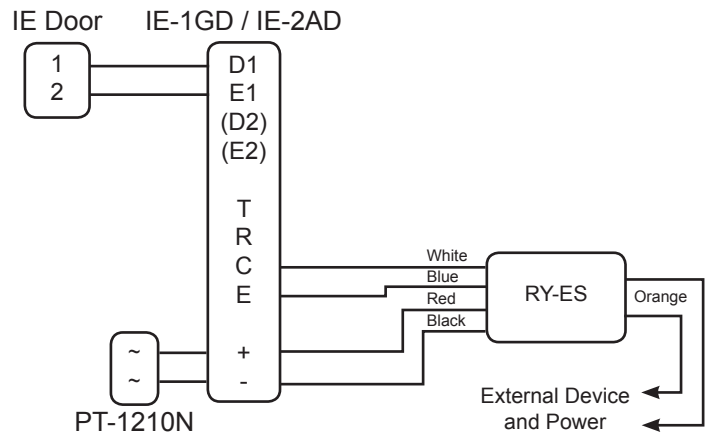
NEM System



DB System



IE System



The RY-ES will work with the IE-1GD, IE-2AD, and IE-1AD. Connections for the IE-1GD and IE-2AD are shown above. When using the IE-1AD, connect the white/blue wires of the RY-ES to the white leads of handset.

The RY-ES is NOT compatible with the IE-8MD.

4 SPECIFICATIONS

Power Source:	12-30V DC, 12-16V AC. Power supplied by master.
Current consumption:	DC: Standby 10mA. Max 60mA AC: Standby 15mA. Max 70mA
Contact rating:	125V AC 1.0A 30V DC 1.0A

Aiphone Communication Systems
1700 130th AVE N.E.
Bellevue, WA 98005
(425) 455-0510
FAX (425) 455-0071

Toll Free Technical Support:
1-800-692-0200
E-mail tech@aiphone.com

RY-ES Instructions
Pg. 4
0614JD