

NDR

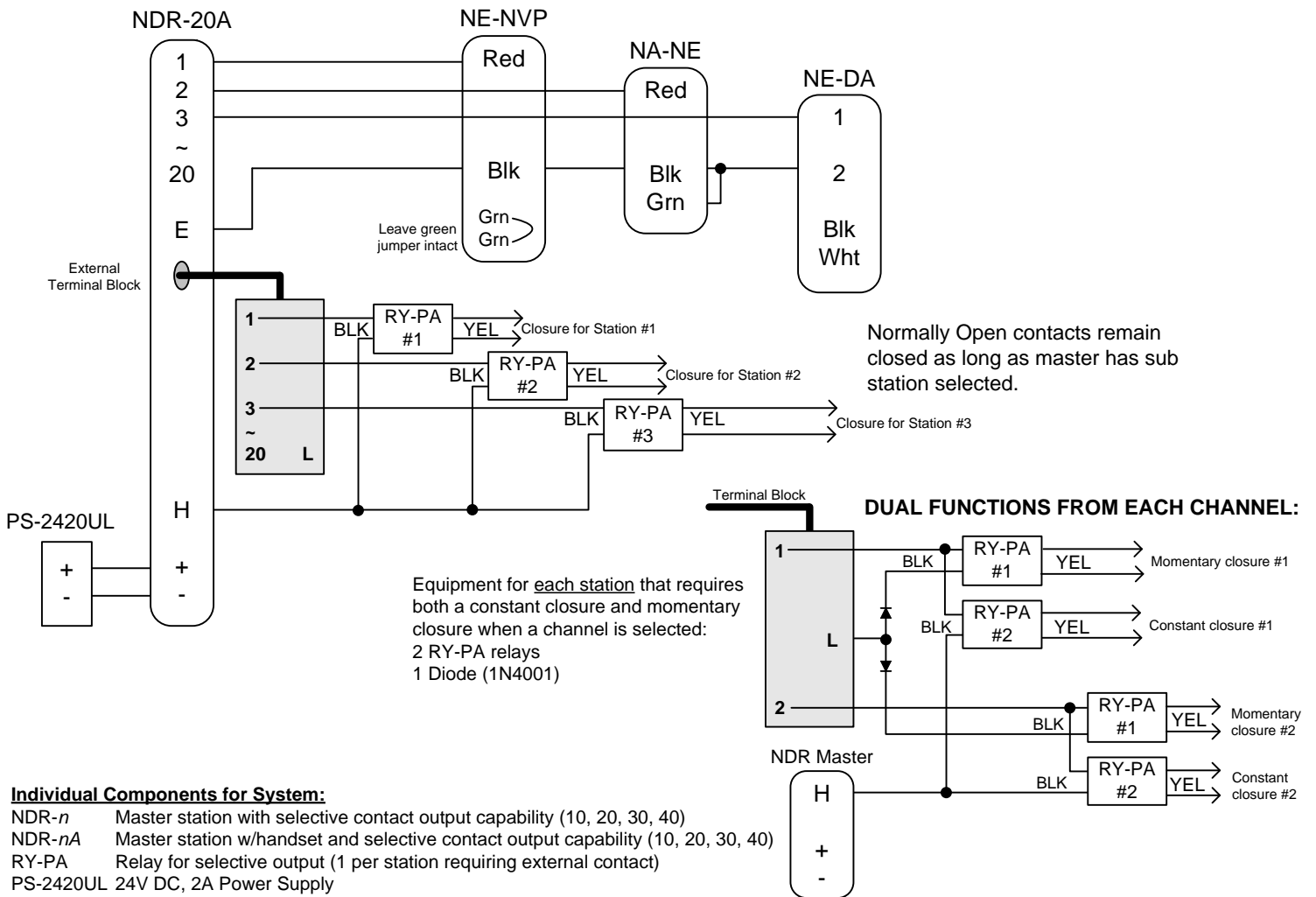
NDR Lamp Memory Master Station with External Control Capability

NDR-10	NDR-20	NDR-30	NDR-40
NDR-10A	NDR-20A	NDR-30A	NDR-40A

- INSTRUCTIONS -

The NDR Lamp Memory and External Control System is designed for communication between a central master station and remote intercom stations. In addition to communication to remote locations, an external device can be activated, such as activating a CCTV camera when the associated sub station is selected, or selectively controlling the corresponding door strike or maglock. All other features, functions, and components are the same as the standard NEM system.

WIRING DIAGRAM: SYSTEM USED FOR CCTV CAMERA CALL-UP



Individual Components for System:

- NDR-*n* Master station with selective contact output capability (10, 20, 30, 40)
- NDR-*nA* Master station w/handset and selective contact output capability (10, 20, 30, 40)
- RY-PA Relay for selective output (1 per station requiring external contact)
- PS-2420UL 24V DC, 2A Power Supply
- N-series Any model sub station with NA- or NE- prefix

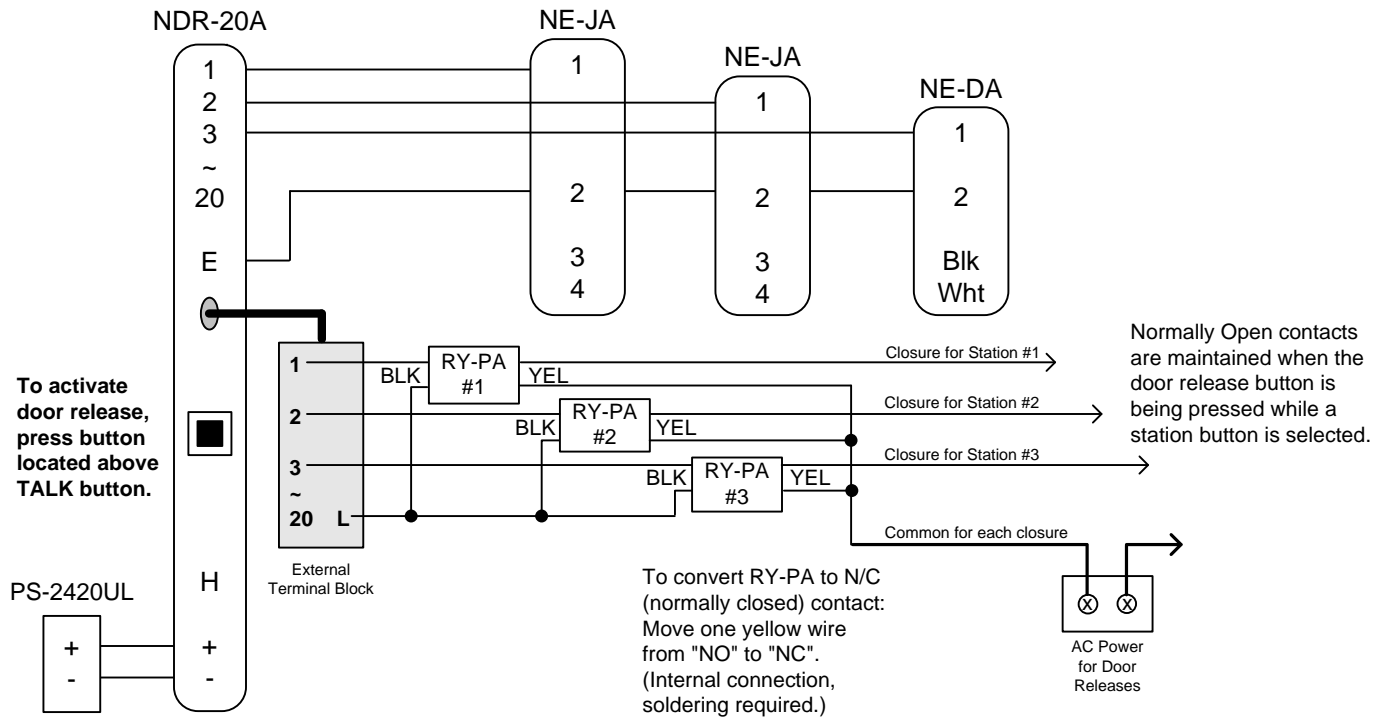
IMPORTANT:

1. RY-PA must be used for each additional contact to isolate AC voltage from the intercom circuit.
2. Extra contact connections and L are on separate terminal block. NDR-30/40 have two terminal blocks.

NDR TERMINAL DEFINITIONS:

- + Positive 24V DC
- Negative
- 1~40 Station number
- E Common communication
- H Positive output for constant closure
- L Positive output for selective closure

WIRING DIAGRAM: SYSTEM USED FOR SELECTIVE DOOR RELEASE



OPERATION:

* POWER SWITCH MUST BE ON FOR SYSTEM TO BE OPERABLE.

1. When a station calls in, press the selector button corresponding to the lit LED.
2. To speak to the person at the remote station, press the TALK button or pick up the handset. Release TALK button to hear reply. Communication via the handset is VOX (voice actuated).
3. If the extra contacts are used as shown in the "camera call-up" diagram, activating a device that is to remain on for the duration of the call, the station's relay will stay activated as long as the selector button is depressed.
4. If the extra contacts are used as shown in the "selective door release" diagram, press the "door release" button while the selector button is depressed. This will activate the corresponding relay as long as the button is being pressed, which will activate the door release mechanism.
5. When the conversation is completed, press the OFF button to the left of the station selector button. Hang up handset.

SPECIFICATIONS

- Power Source: 24V DC at master. Use PS-2420UL.
- Commun. Output: 500mW at 20 ohms
- Communication: Push-to-talk, release-to-listen (TALK button) or VOX handset at master. Hands free at sub station.
- Calling: Master to sub: By voice only after pretone.
Sub to master: Call button on sub activates tone and LED at master, remaining active until answered.
- Wiring: 2 conductors homerun to sub station, or loop multi-conductor with 1 common + 1 individual wire per sub station on wire run. Separate 2 conductor from RY-PA to external device. Shielded cable is recommended. Use Aiphone #822202 (22AWG) or #821802 (18AWG) wire (2 cond.).
- Wiring Distance: 420' with 22AWG; 1,000' with 18AWG.