

FLUSH-MOUNT ROUND SPEAKER

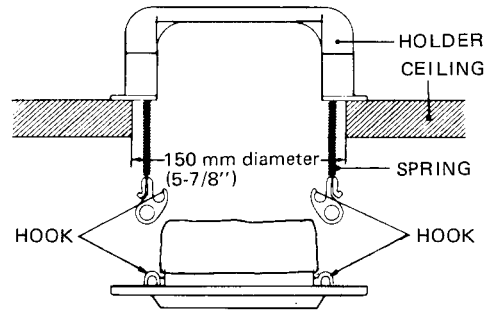
MODEL: **NB-L** (Sub station for NEM, NEM-A)

INSTALLATION MANUAL

1 INSTALLATION

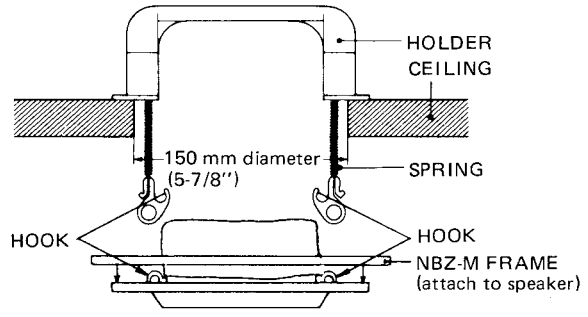
*Flush-mounting to ceiling;

1. Open a hole of 150 mmφ (5-7/8"φ) in the ceiling.
2. Hook the speaker at one side to a spring of holder, and connect wires.
3. Hook the other side of the speaker, by pulling spring, and locate the speaker in the center of the hole.



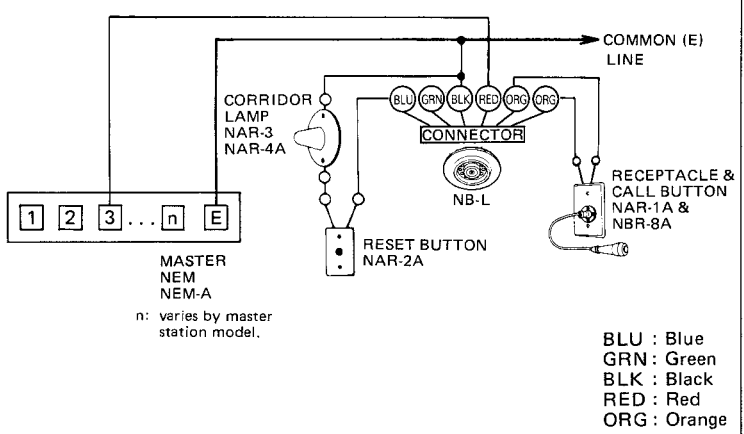
*Flush-mounting to ceiling, using NBZ-M square frame;

1. Open a hole of 150 mmφ (5-7/8"φ) in the ceiling.
2. Attach the square frame to the speaker from the back.
3. Hook the speaker at one side to a spring of holder, and connect wires.
4. Hook the other side of the speaker, by pulling spring, and locate the speaker in the center of the hole.



2 WIRING

(1) NB-L sub station, with call button;



(2) When corridor lamp is installed;

Connect wires on the connector (female) and attach to the male connector.
When corridor lamp is installed, cut off green wire.

