

SYSTEM/MODEL: TD-H/B

MODIFICATION: TD-H/B with multiple paging zones and All Page

DIFFICULTY LEVEL: 1 - Easy - Wire connection only.

COMPONENTS REQUIRED: 1. PD-1 or PD-2: Paging adapter, one for each zone, plus one for All Page.

2. Paging amplifier: One for each zone.

INSTR/OPERATIONS: 1. Each paging zone requires either a PD-1 (Standard paging) or a PD-2 (Paging with talkback).

2. All Page requires a separate PD-1 (only).

3. Connect components as shown in the following diagram.

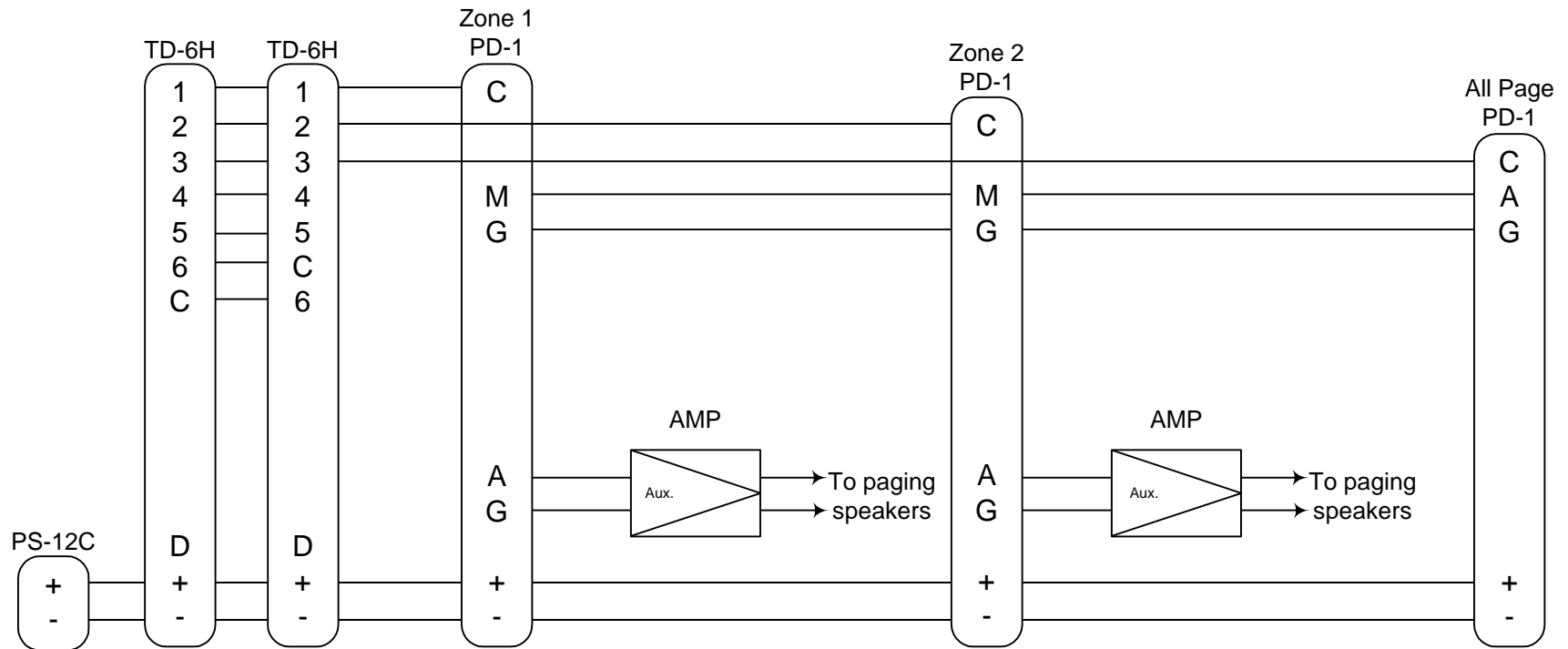
4. All Page will not have priority over zone paging.

REFERENCE DRAWING #: 1298-1064

Aiphone's product warranty applies to products properly modified using these instructions.
However, if a unit is damaged as a result of improper modification, the warranty does not apply.

MODIFICATION DIAGRAM

MULTIPLE ZONE PAGING WITH ALL PAGE



NOTES:

1. To activate All Page, select the button that is connected to the All Page adaptor. (Button #3 in this drawing). Depress page button in the handset and speak.
2. If any other handset has initiated an individual zone page, the All Page will not be heard in that zone.
3. Connect all ground terminals together between amplifiers and adaptors and connect them to an earth ground.
4. Only wiring concerning selective paging and All Page are addressed here. For complete instructions, please refer to the installation manuals included with the equipment.