

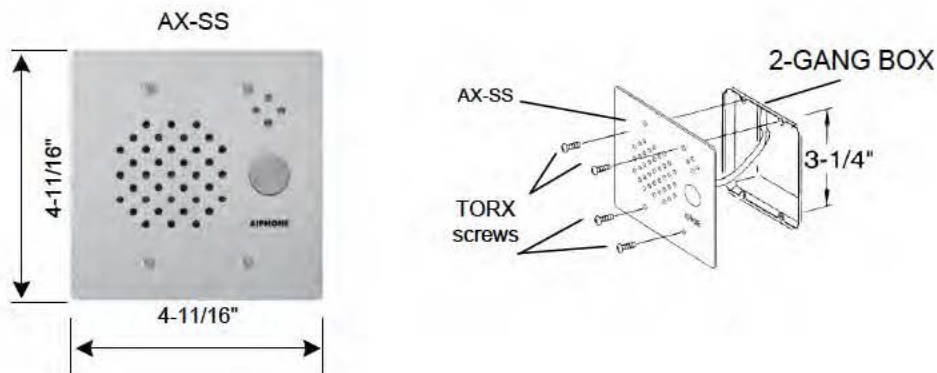
AX-SS Sub Station for AX

2 Gang Stainless Steel, Vandal Resistant Sub with Amplification

- INSTRUCTIONS -

The AX-SS is an exterior rated sub station designed for use with the AX system. It is designed to be flush mounted into a 2-gang electrical box or can be surface mounted using the SBX-2G. It requires CAT-5e wiring homerun to the CEU, or 4 conductor wire spliced onto a CAT-5 cable at the CEU. 24V DC power is required at the station for power.

MOUNTING & INSTALLATION:



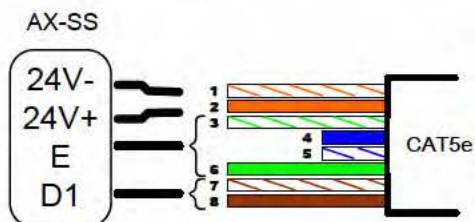
OPERATION:

- Door stations calling Master(s): Press call button on door station. Tone and LED light will be activated at the master station(s). Communication at master is Push-to-talk or VOX hands free. Communication at door station is always hands free reply. Press OFF at master to conclude.
- Master calling Door Station: Press selector button on master assigned to the door station you wish to call. Press TALK to initiate, then speak via either Push-to-talk or VOX hands free. Press OFF to conclude.

IMPORTANT NOTE:

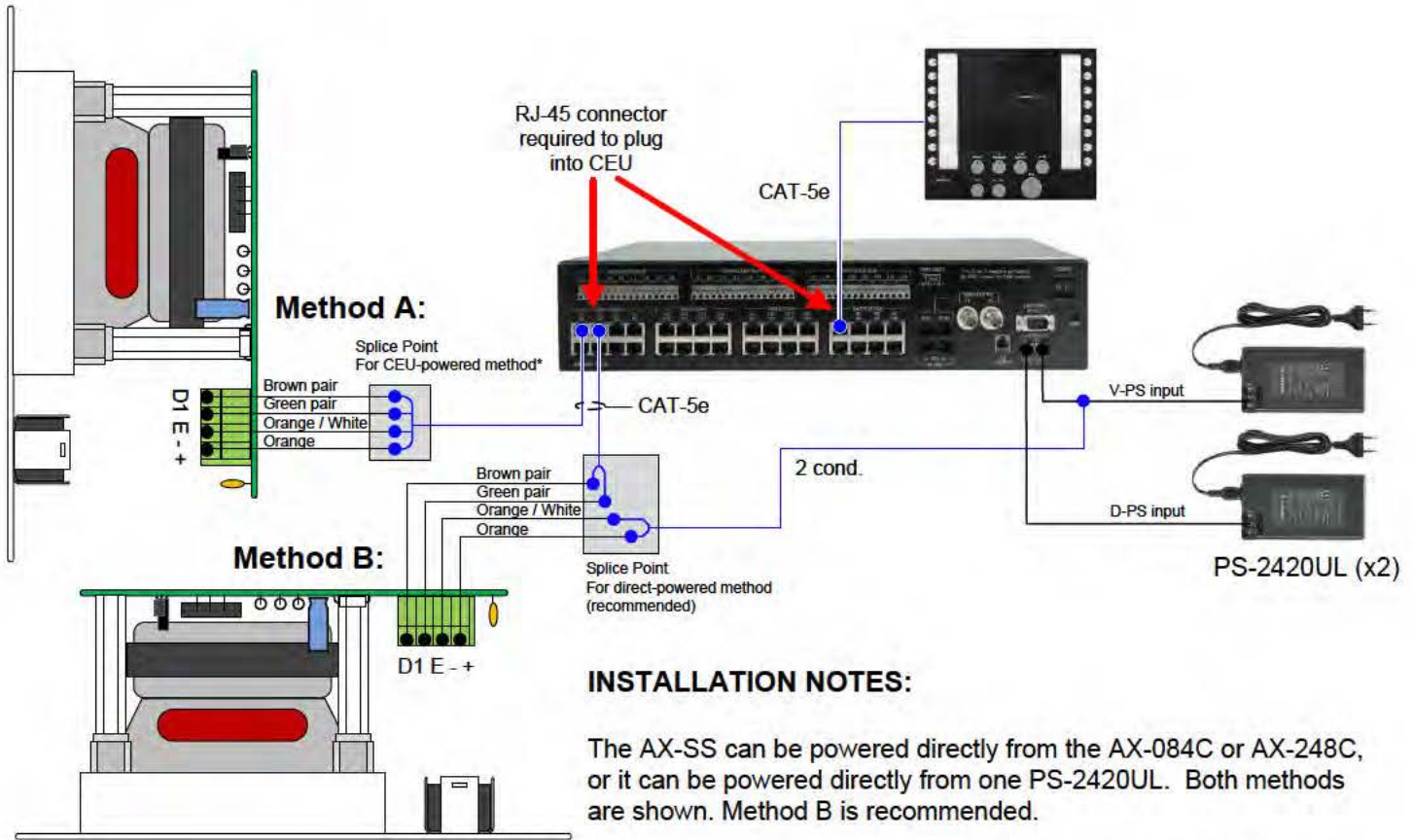
- *If using AX-SS in a system including video master station(s) and if powering the station off of the CAT-5 cable plugged into the CEU: the video monitor will be powered on when communication is established with this station, but there will be no image present. We recommend that the station be powered directly from the PS-2420UL as shown in Method B on the following page.*

WIRING DIAGRAM:



TIA/EIA 568B Standard:
Connect 3/6 pair (green) to "E"
Connect 7/8 pair (brown) to "D1"
Connect 1 (orange/ white) to 24V-
Connect 2 (orange) to 24V+

CONNECTION DIAGRAM:



INSTALLATION NOTES:

The AX-SS can be powered directly from the AX-084C or AX-248C, or it can be powered directly from one PS-2420UL. Both methods are shown. Method B is recommended.

When using direct-powered method (B), utilize the PS-2420UL that is connected to "V-PS + and -" terminals (right side).

The output volume can be adjusted (H,M,L) via the 3-position switch located near the bottom edge of the unit. (Default is M)

**When using the CEU-powered method (A), the door station port must be programmed in the software set-up as a video door station. This will also make the monitor in the AX-8MV turn on when speaking with this station, and will display a blank or snowy screen. In an audio-only system with the AX-8M master, this will not be a concern.*



Volume Control
H = High
M = Medium
L = Low

Exchange No.	Sub	Location Name	Video Audio	Call Level
1	1	Door 1	Video	Normal
2	2	Door 2	None	Normal
3	3	Door 3	Video	Normal
4	4	Door 4	Audio	Normal

SPECIFICATIONS:

Power source:	Power provided by AX CEU (AX-084C, AX-248C) or PS-2420UL
Speaker:	Baffle protected, Water proof and puncture resistant, 2.4 oz. magnet
Microphone:	Baffle protected
Call Button:	SPST call button. Call tone is activated at master when call button is pressed
Faceplate:	12 Gauge Stainless Steel
Mounting:	Flush mount into a 2-gang box. Surface mount into SBX-2G, sold separately. Tamper proof screws included (6x32 for use with flush gang box) with T-10 TORX bit. Use hardware included with SBX-2G when installing sub into that unit.
Terminations:	Unlabeled wire connector. See terminal definitions above
Operating Temperature:	Flush Switch rating: 14°F to 158°F; Speaker rating: -67°F to 187°F
Wiring Distance:	980' using CAT-5e
Dimensions:	4-11/16" H x 4-11/16" W x 2" D

Aiphone Communication Systems
1700 130th Ave. N.E.
Bellevue, WA 98005
(425) 455-0510
FAX (425) 455-0071

Toll Free Technical Support:
1-800-692-0200
E-mail tech@aihone.com

Pg. 2
COP-AX-SS Instr.
0509PHJS